

Touchless disinfection spray dispenser R118; installation on handrail tube D35mm

Ordering code: DD-MOL-016R



assembled
in Slovakia

General information

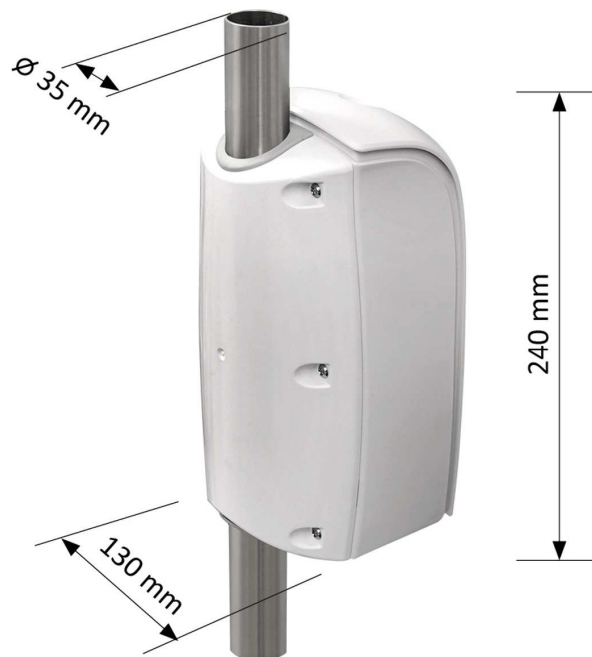
Touchless disinfection spray dispenser integrated on handrail tube of diameter 35 mm. This solution is for installation in public transportation. The stand has a solid construction, attractive stainless steel look. The smooth surface is easy to clean.

Complies with the requirements of ECE Directive R118.03 for use in automotive.

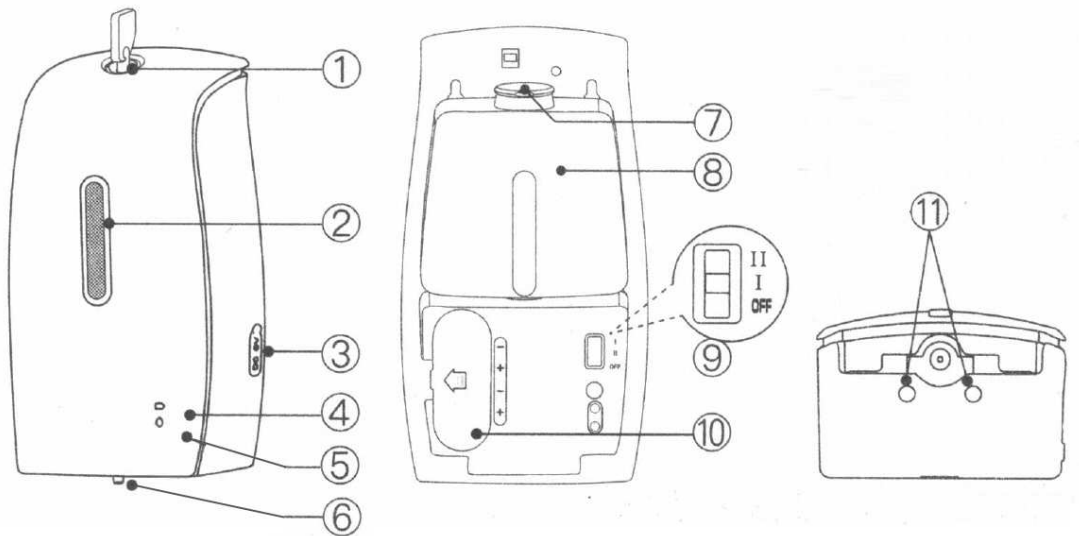
Technical specification

automatic detection of the hands	infrared sensor (IR)
sensor reach	2 - 10 cm \pm 2 cm
dispenser type	spray mist
applicable disinfectants	<ul style="list-style-type: none">• alcohol based solution with alcohol concentration max. 75 %• Oxychlorine in concentration 0,03 %• other chlorine based disinfectants with Cl max. 50 ml/l
total height	505 mm
dispensing area (height from the desktop surface)	110 mm \pm 50 mm
dimensions of the base	200 x 180 mm
weight	2,4 kg
total height of the shipping carton	516 mm
base of the shipping carton	196 x 206 mm
total weight	3,3 kg
power supply	Alkaline battery 4 x 1,5V, AA type / adaptor 230 VAC; 6 VDC/1A (not included)
disinfectant tank volume	600 ml
selectable volume of the dose	0,5 ml resp. 1,0 ml
detachable drip tray	yes
dispenser pump life time	minimum 100 000 doses
life time of the batteries	15 000 doses (depending on battery type)
stand-by current	less than 80 μ A

Main dimensions



Controls / Main components



1	Key for the lock
2	Visor for the check the level of disinfectant in the tank
3	Power adaptor plug
4	Red LED (battery status)
5	Green LED (operation status)
6	Dispenser nozzle
7	Disinfectant tank refill hole
8	Disinfectant tank
9	Main switch / Dose volume selector
10	Batteries compartment (water resistant cover)
11	IR sensors

Disinfectant refills

ord. code	description
DD-MOL-201	Alcohol based disinfectant with glycerine for direct use in hand dispenser; 5 l container
DD-MOL-202	Alcohol based disinfectant with glycerine for direct use in hand dispenser; 1 l bottle
DD-MOL-203	Solution for hands disinfection Steriland DERMA with HCl 0,025 %; for direct use in disinfection dispenser; 5 L
DD-MOL-204	Solution for hands disinfection Steriland DERMA with HCl 0,025 %; for direct use in disinfection dispenser; 1 L
DD-MOL-207	Alcohol based disinfectant with glycerine for direct use; 1 l bottle
DD-MOL-208	Disinfectant on alcohol base with glycerine and aloe vera; for direct use; 5 l
DD-MOL-209	Alcohol based disinfectant with glycerine for direct use; 1 l bottle
DD-MOL-303	Power adapter; 6V / 2000 mA



Before storing, transporting in a position other than upright and sending the dispenser for service, please empty the disinfectant tank to prevent it from leaking!